

ExcelTon™-II

6" 2BB Mono-crystalline Solar Cell

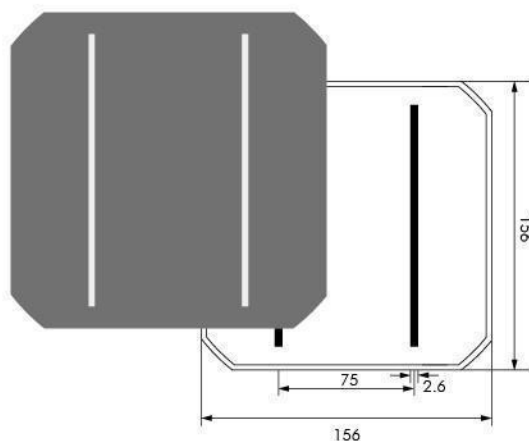
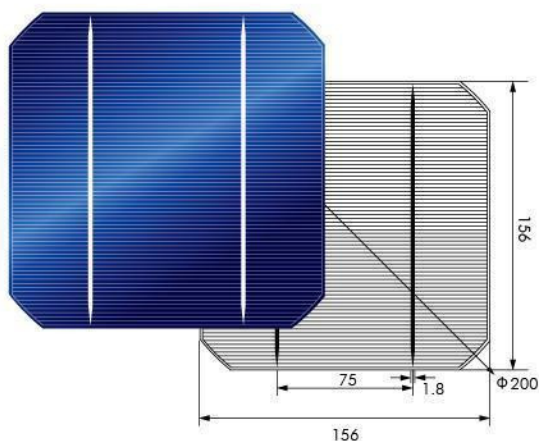
Dimensions

Size 156mm x 156mm ± 0.5mm

Thickness(Si) 180μm ± 20μm / 200μm ± 20μm

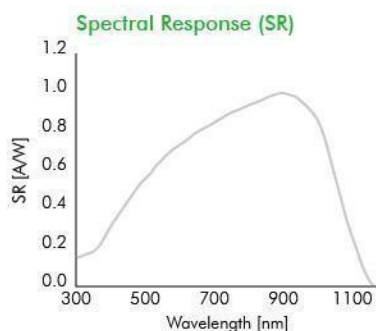
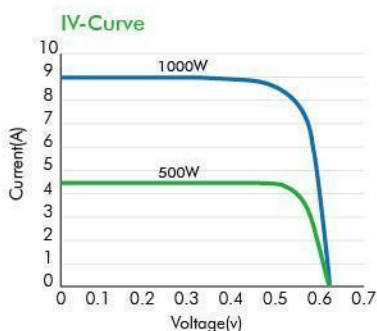
Features

1. PID-free.
2. 100% in-line inspection of optical, Irev (<2.0A @ -10V, <2.5A @ -12V) and Rsh (>10 ohm).
3. Long term efficiency stability and excellent reliability.
4. ISO 9001, ISO 14001 and OHSAS 18001 certified.



Efficiency Code	Efficiency (%)	Charged Power (Wp)	I _{mp} (A)	V _{mp} (V)	I _{sc} (A)	V _{oc} (V)
ETS6-1940	19.40	4.64	8.59	0.541	9.12	0.641
ETS6-1930	19.30	4.61	8.57	0.540	9.10	0.640
ETS6-1920	19.20	4.59	8.55	0.538	9.09	0.639
ETS6-1910	19.10	4.56	8.53	0.537	9.07	0.638
ETS6-1900	19.00	4.54	8.51	0.535	9.05	0.637
ETS6-1890	18.90	4.52	8.49	0.533	9.03	0.636
ETS6-1880	18.80	4.49	8.47	0.532	9.00	0.635
ETS6-1870	18.70	4.47	8.45	0.531	8.97	0.634
ETS6-1860	18.60	4.45	8.43	0.530	8.96	0.633

• Under standard test condition: 1000W / m², AM 1.5, 25°C • Average accuracy of all tested figures is ±1.0% rel.



Temperature Coefficient

Current (Alpha)	0.05%/°C
Voltage (Beta)	-0.32%/°C
Power (Gamma)	-0.39%/°C

